

TWO MAN PACK STATION

FILL AND SEAL FROM THE SAME POSITION

Four efficient SOCO SYSTEM standard modules combined to an effective, ergonomic and compact two man pack station.

**For
Random
Boxes**



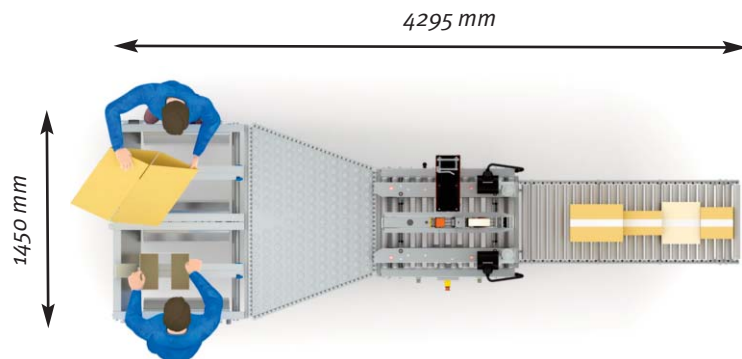
- Easy to use
- Easy to maintain
- Unique dispenser design

The operators slides the cases into the bottom flap folders. The side flaps are automatically folded and the cases held firm during filling. When the case is full, the operator pushes it to sealing and further transport.



The package:

- 2 F-100 packaging tables with bottom flap folder
- 1 balltable
- 1 kit for assembly
- 1 T-55 case sealer
- 1 roller conveyor



*Very compact - less floor space
as the traditional manual
operator workstation.*

**SOCO
SYSTEM**

SOCO SYSTEM A/S
Helgeshoej Allé 16 D
2630 Taastrup, Denmark
Tel: +45 43 52 55 66
Fax: +45 43 52 81 16
info@socosystem.com
www.socosystem.com

**See the 2-man packing
station in action at Coop.dk
under Customer Cases at
www.socosystem.com.**

www.socosystem.com