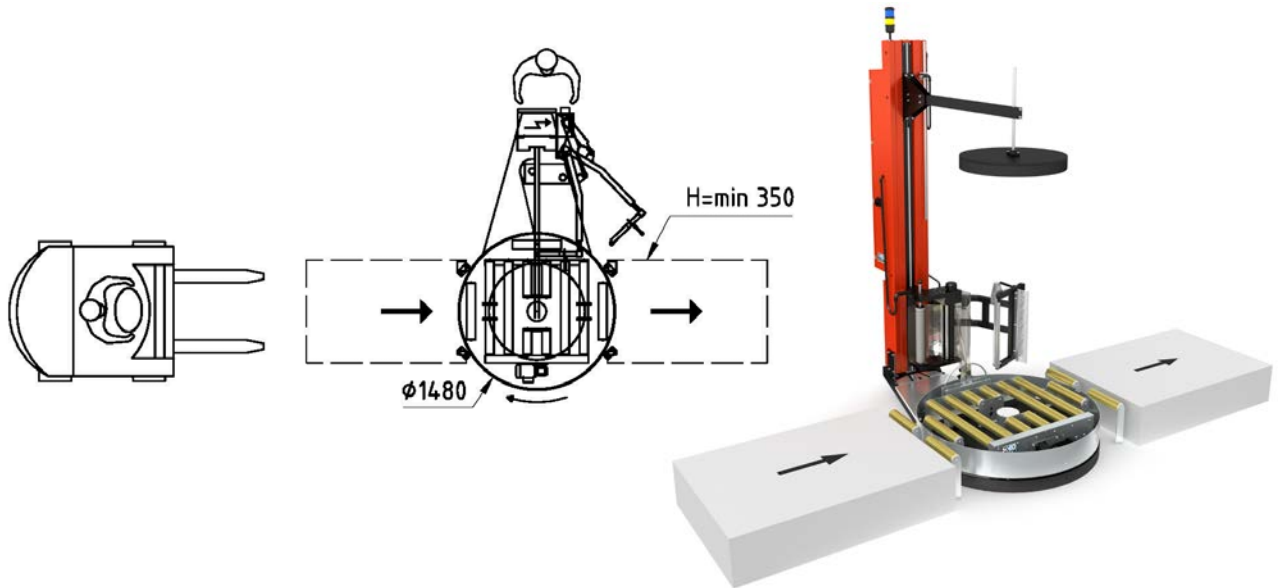


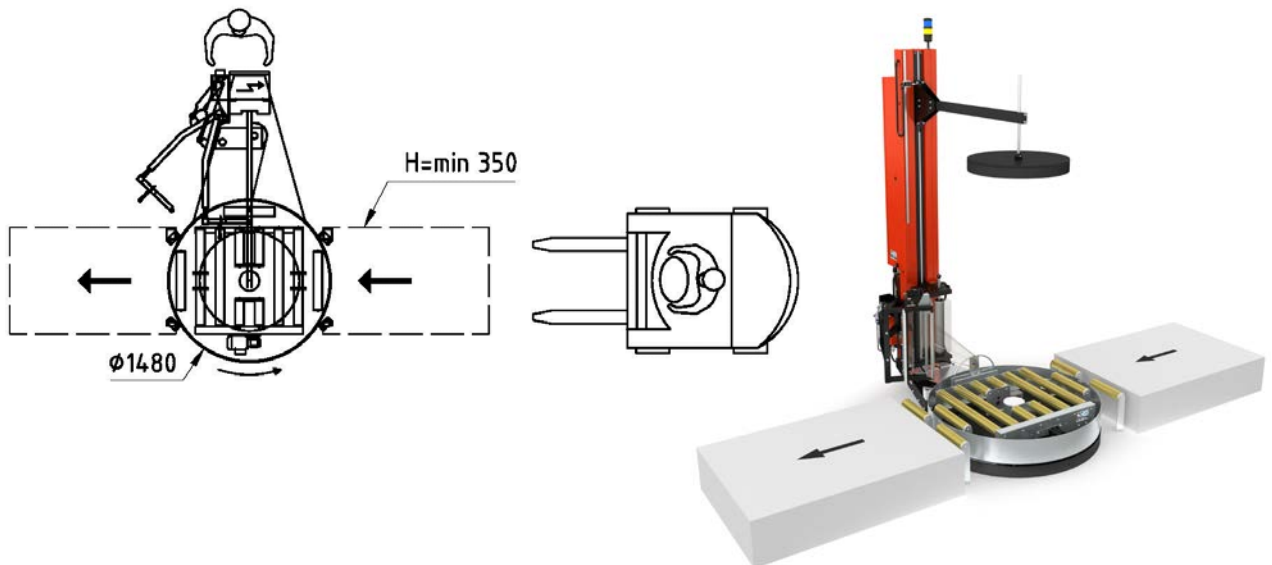
SOCO SYSTEM automatic pallet stretch wrappers standard examples 2020

1 - Right



Pallet stretch wrapper PW-1200, model Right
Not stand alone, must be built into a system with pallet conveyors and fencing

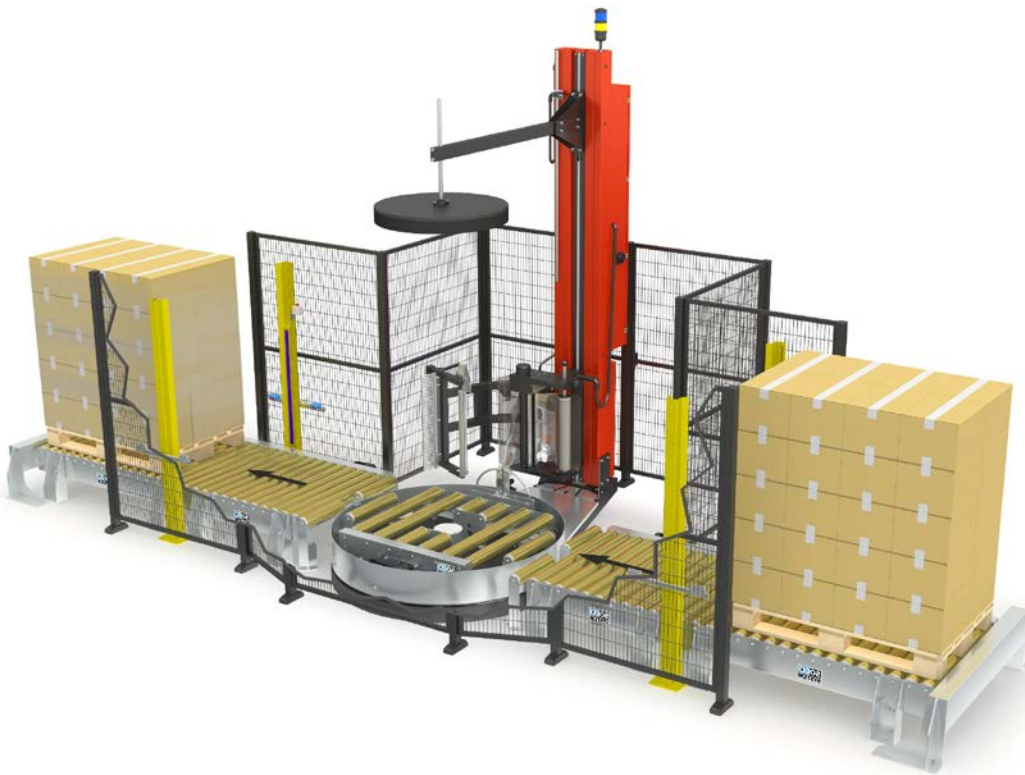
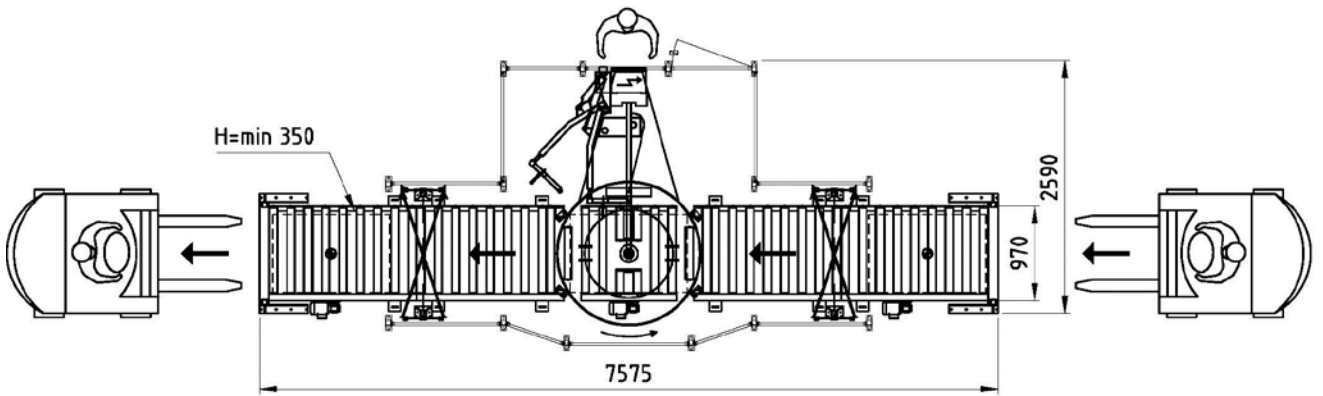
1 - Left



Pallet stretch wrapper PW-1200, model Left
Not stand alone, must be built into a system with pallet conveyors and fencing

SOCO SYSTEM automatic pallet Stretch wrappers standard examples 2020

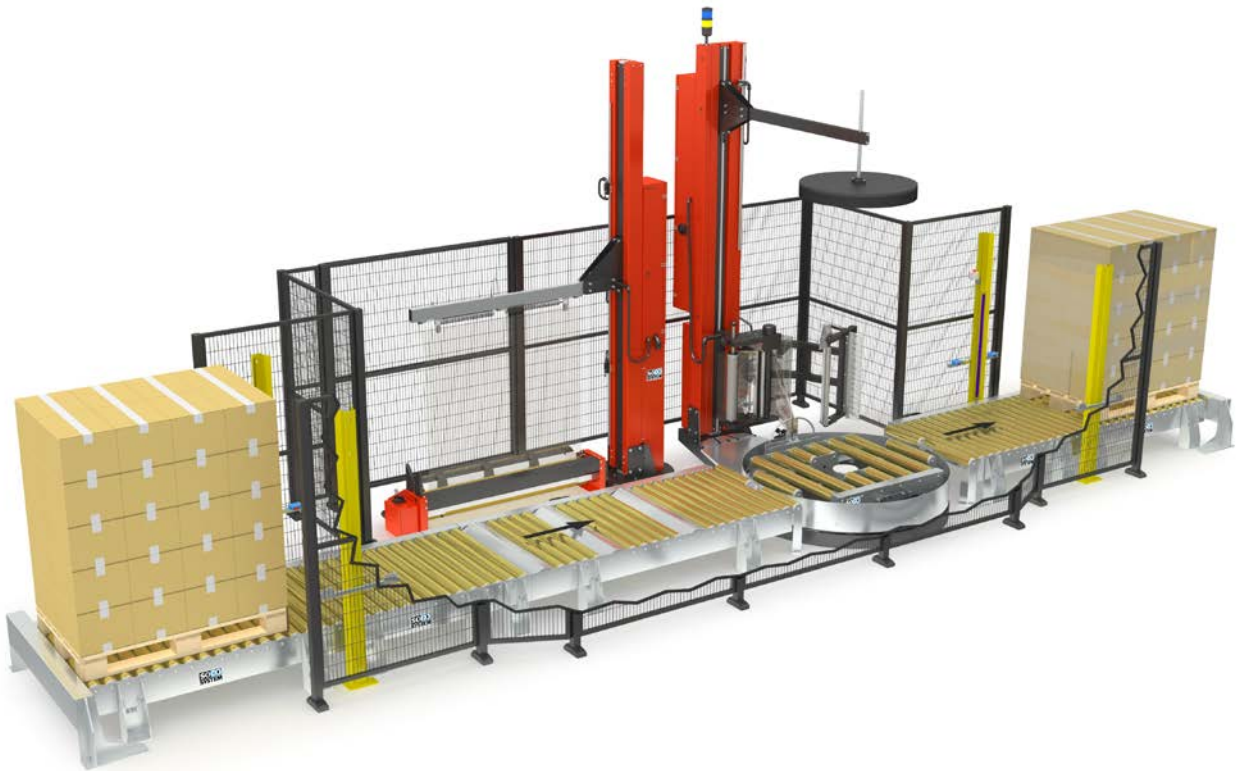
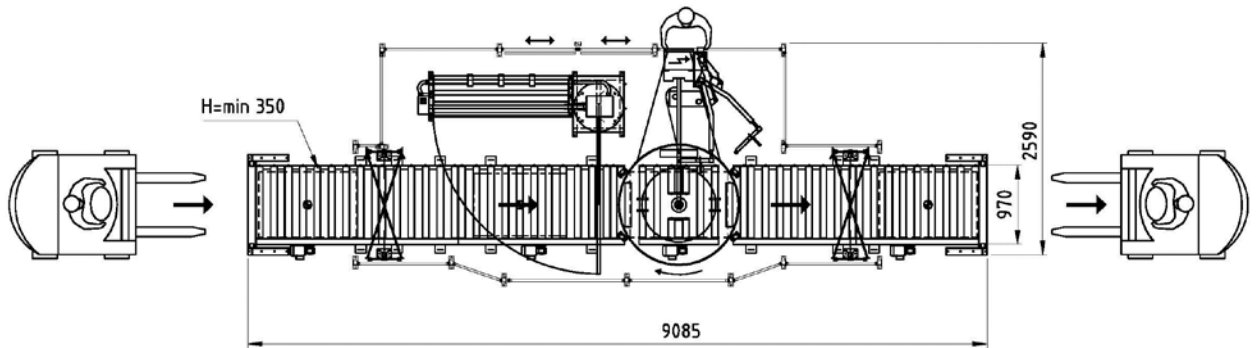
2



Pallet stretch wrapper PW-1200, with automatic pallet exchange with 2 pallet places

SOCO SYSTEM automatic pallet stretch wrappers standard examples 2020

3



Pallet stretch wrapper PW-1200, with top film applicator and automatic pallet exchange with 2 pallet places