

TWO MAN PACK STATION

FILL AND SEAL FROM THE SAME POSITION

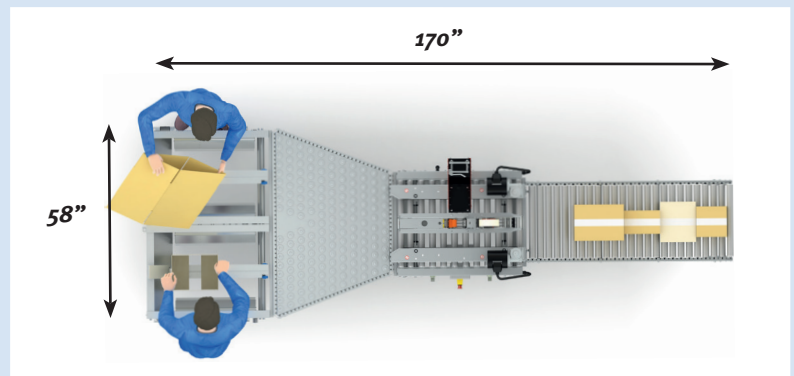
**For
Random
Boxes**

Four efficient SOCO SYSTEM standard modules combined to an effective, ergonomic and compact two man packing system.



- Automatic adjustment for case size
- Easy tape and dispenser replacement
- Easy to maintain with low maintenance and spare parts costs

The operators slides the cases into the case formers where the bottom flaps are automatically folded and held firm during filling. When the cases are full the operators pushes the cases into the tape sealer.



The package deal

2 F-100 case former
1 balltable
1 kit for assembly
1 T-55 case sealer
1 roller conveyor
Shipping included within USA.

Very compact

Takes up less floor space than the traditional manual operator work station.

Package deal!
The system comes assembled and ready to use. Shipping included.
Price \$ 22,600

**SOCO
SYSTEM**

SOCO SYSTEM INC.
1931 MacArthur Rd.
Waukesha, WI 53188
Tel. 1-800-535-7626
Fax. 1-262-547-4707
info@socosystem.com
www.socosystem.com/us

See customer references and product animations at www.socosystem.com/us